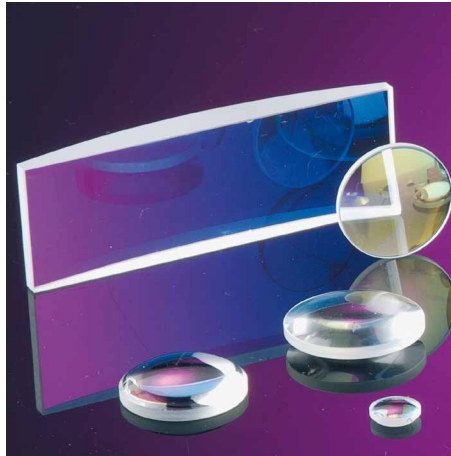


Gekrümmte Spiegelsubstrate

Gekrümmte Spiegelsubstrate sind als plankonkave oder plankonvexe Substrate erhältlich. Sie unterscheiden sich von Plankonkav- und Plankonvex-Linsen in der Mittendicke, die bei Spiegelsubstraten höher gewählt wird. Durch die höhere Mittendicke wird einer eventuellen Verschlechterung der Formtreue durch das Aufbringen von dielektrischen Beschichtungen entgegengewirkt.

Alle Spiegelsubstrate können mit kundenspezifischen Krümmungsradien gefertigt werden.



Curved Mirror Substrates

Curved mirror substrates are available as plano-concave or plano-convex substrates. They differ from plano-concave and plano-convex lenses in their center thickness, which is higher in mirror substrates. This counteracts the possible deterioration of the surface figure resulting from the application of dielectric coatings.

All mirror substrates can be manufactured with customer-specific radii of curvature.

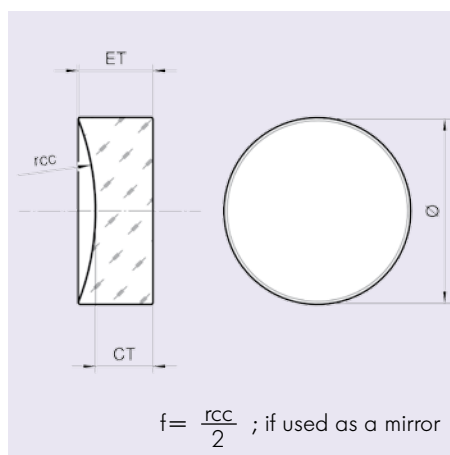
SPECS

■ Material:	BK7, fused silica	■ Surface figure:	Curved surface: 3/-(0.2/-) according to ISO 10110 Plane surface: 3/0.2(0.2/-) according to ISO 10110 λ/10 according to MIL-O-1380A
■ Diameter tolerance:	+ 0.00 mm; - 0.20 mm	■ Surface quality:	5/4 x 0.025 for 1.0" substrates according to ISO 10110 10-5 according to MIL-O-1380A
■ Thickness tolerance:	± 0.20 mm	■ Centering error:	4/3' according to ISO 10110
■ Radii tolerance:	± 0.5 % for $r_{cc}/r_{cx} < 0.5$ m ± 1% for $0.5 \text{ m} < r_{cc}/r_{cx} < 2$ m For radii larger than 2 m please check with our sales department.	■ Protective chamfer:	0.2 - 0.4 mm x 45°
■ Clear aperture:	85 % of diameter		

Sphärisch konkave Spiegelsubstrate

Konkave Spiegelsubstrate werden häufig im Resonator eingesetzt.

Der Einsatz ist sehr vorteilhaft, da durch die konkave Fläche ein Resonator ermöglicht wird, der unempfindlich in der Justage ist.



Spherical Concave Mirror Substrates

Concave mirror substrates are often used in resonators.

This application is very advantageous because the concave surface facilitates a resonator that is easy to adjust.



Nomenklatur – Nomenclature

SM	05	- 0.10	C
Product code (Spherical Concave Mirror Substrates)	Diameter in inches x 10	Concave radius of curvature in m	Material code UV: fused silica C: BK7

SM	05	25	- 0.10	C
Product code (Spherical Concave Mirror Substrates)	Diameter in inches x 10	Edge thickness in inches x 100	Concave radius of curvature in m	Material code UV: fused silica C: BK7

Note: If no thickness is given the standard value is 0.375".

Part No.	Diameter Ø	Edge Thickness ET	Concave Radius rcc [m]	Material
SM05-0.010C	0.500"	0.375"	0.010	BK7
SM05-0.025C	0.500"	0.375"	0.025	BK7
SM05-0.050C	0.500"	0.375"	0.050	BK7
SM05-0.075C	0.500"	0.375"	0.075	BK7
SM05-0.10C	0.500"	0.375"	0.100	BK7
SM05-0.15C	0.500"	0.375"	0.150	BK7
SM05-0.20C	0.500"	0.375"	0.200	BK7
SM05-0.25C	0.500"	0.375"	0.250	BK7
SM05-0.30C	0.500"	0.375"	0.300	BK7
SM05-0.50C	0.500"	0.375"	0.500	BK7
SM05-0.75C	0.500"	0.375"	0.750	BK7
SM05-1.00C	0.500"	0.375"	1.00	BK7
SM05-2.00C	0.500"	0.375"	2.00	BK7
SM05-3.00C	0.500"	0.375"	3.00	BK7
SM05-5.00C	0.500"	0.375"	5.00	BK7
SM05-10.0C	0.500"	0.375"	10.0	BK7
SM0525-0.010C	0.500"	0.250"	0.010	BK7
SM0525-0.025C	0.500"	0.250"	0.025	BK7
SM0525-0.050C	0.500"	0.250"	0.050	BK7
SM0525-0.10C	0.500"	0.250"	0.100	BK7

Continued on next page.



Part No.	Diameter Ø	Edge Thickness ET	Concave Radius rcc [m]	Material
SM0525-0.15C	0.500"	0.250"	0.150	BK7
SM0525-0.25C	0.500"	0.250"	0.250	BK7
SM0525-1.00C	0.500"	0.250"	1.00	BK7
SM0525-2.00C	0.500"	0.250"	2.00	BK7
SM0525-3.00C	0.500"	0.250"	3.00	BK7
SM0525-5.00C	0.500"	0.250"	5.00	BK7
SM0525-10.0C	0.500"	0.250"	10.0	BK7
SM07-0.75C	0.750"	0.375"	0.750	BK7
SM07-1.00C	0.750"	0.375"	1.00	BK7
SM07-2.00C	0.750"	0.375"	2.00	BK7
SM07-3.00C	0.750"	0.375"	3.00	BK7
SM07-5.00C	0.750"	0.375"	5.00	BK7
SM0725-5.00C	0.750"	0.250"	5.00	BK7
SM1-0.050C	1.000"	0.375"	0.050	BK7
SM1-0.10C	1.000"	0.375"	0.100	BK7
SM1-0.15C	1.000"	0.375"	0.150	BK7
SM1-0.20C	1.000"	0.375"	0.200	BK7
SM1-0.30C	1.000"	0.375"	0.300	BK7
SM1-0.40C	1.000"	0.375"	0.400	BK7
SM1-0.50C	1.000"	0.375"	0.500	BK7
SM1-0.60C	1.000"	0.375"	0.600	BK7
SM1-0.75C	1.000"	0.375"	0.750	BK7
SM1-1.00C	1.000"	0.375"	1.00	BK7
SM1-1.50C	1.000"	0.375"	1.50	BK7
SM1-2.00C	1.000"	0.375"	2.00	BK7
SM1-3.00C	1.000"	0.375"	3.00	BK7
SM1-5.00C	1.000"	0.375"	5.00	BK7
SM1-10.0C	1.000"	0.375"	10.0	BK7
SM1025-0.10C	1.000"	0.250"	0.100	BK7
SM1025-0.25C	1.000"	0.250"	0.250	BK7
SM1025-0.30C	1.000"	0.250"	0.300	BK7

Continued on next page.

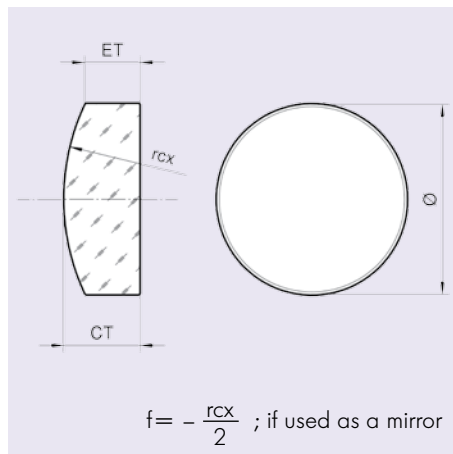


Part No.	Diameter Ø	Edge Thickness ET	Concave Radius rcc [m]	Material
SM1025-0.40C	1.000"	0.250"	0.400	BK7
SM1025-0.50C	1.000"	0.250"	0.500	BK7
SM1025-0.75C	1.000"	0.250"	0.750	BK7
SM1025-1.00C	1.000"	0.250"	1.00	BK7
SM1025-1.50C	1.000"	0.250"	1.50	BK7
SM1025-2.00C	1.000"	0.250"	2.00	BK7
SM1025-3.00C	1.000"	0.250"	3.00	BK7
SM1025-5.00C	1.000"	0.250"	5.00	BK7
SM1025-10.0C	1.000"	0.250"	10.0	BK7

Many fused silica items are as well available from stock as BK7 items. Other sizes and materials are available upon request.

Sphärisch konvexe Spiegelsubstrate

Konvexe Spiegelsubstrate werden häufig für Resonatoraufbauten verwendet.



Convex mirror substrates are often used in resonators.

Nomenklatur – Nomenclature

SMX	05	- 0.10	C	
Product code (Spherical Mirror Convex Substrate)	Diameter in inches x 10	Convex radius of curvature in m	Material code UV: fused silica C: BK7	
SMX	05	25	- 0.10	C
Product code (Spherical Mirror Convex Substrate)	Diameter in inches x10	Center thickness in inches x 100	Convex radius of curvature in m	Material code UV: fused silica C: BK7

Note: If no thickness is given the standard value is 0.375".



www.lasercomponents.com

Sphärisch konvexe Spiegelsubstrate aus BK7 – BK7 Convex Spherical Mirror Blanks

Part No.	Diameter Ø	Center Thickness CT	Convex Radius rcx [m]	Material
SMX05-0.50C	0.500"	0.375"	0.500	BK7
SMX05-1.00C	0.500"	0.375"	1.00	BK7
SMX07-0.10C	0.750"	0.375"	0.100	BK7
SMX07-3.00C	0.750"	0.375"	3.00	BK7
SMX07-4.00C	0.750"	0.375"	4.00	BK7
SMX1-0.50C	1.000"	0.375"	0.500	BK7
SMX1-1.00C	1.000"	0.375"	1.00	BK7
SMX1-1.50C	1.000"	0.375"	1.50	BK7
SMX1-2.00C	1.000"	0.375"	2.00	BK7
SMX1025-0.50C	1.000"	0.250"	0.500	BK7
SMX1025-1.00C	1.000"	0.250"	1.00	BK7

Many fused silica items are as well available from stock as BK7 items. Other sizes and materials are available upon request.

