

Industrial Laser Modules ILM12F Series

Now with adjustable focus

The ILM12F laser modules are the next generation of our previous ILM12 series. The lasers were specifically developed for industrial positioning and alignment applications. Thanks to their M12x1 external thread, these lasers, which come in industrial housings made of stainless steel, are easy to integrate. All lasers come with an adjustable focus to generate a crisp and thin line at the desired working distance.

The ILM12F laser modules project either dots, lines, or cross hairs at 520 nm (green) or 635nm (bright red).



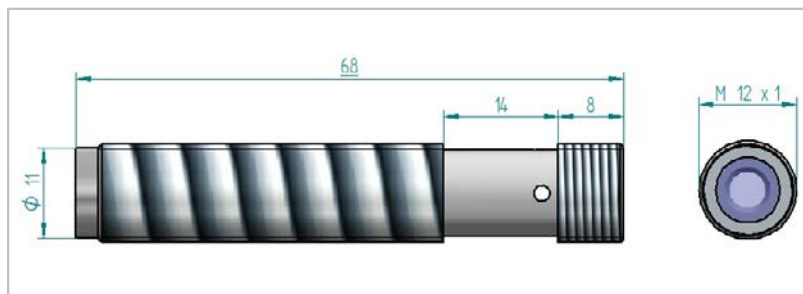
Connector and cable not included

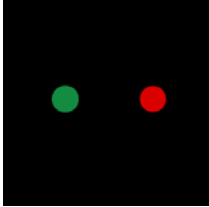

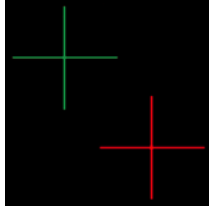
Characteristics

- Dot laser
- Line laser
- Cross-hair laser
- 520 nm (green) or 635 nm (bright red)
- 4.5/10 – 30 VDC supply voltage
- M12 industrial housing and connector
- Lasers with laser class 1, 1M, 2 and 2M available (no laser safety eyewear necessary)

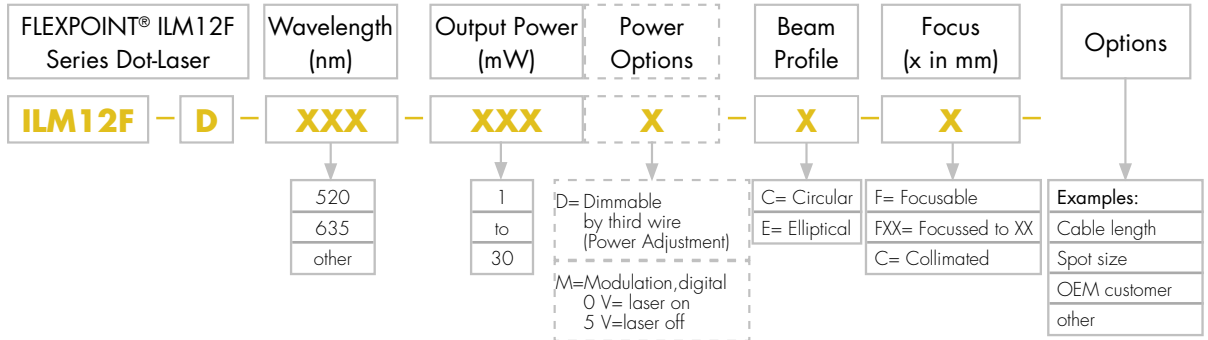
Applications

- Positioning tasks
- Timber industry
- Metal industry
- Textile industry
- Image processing
- Automotive industry

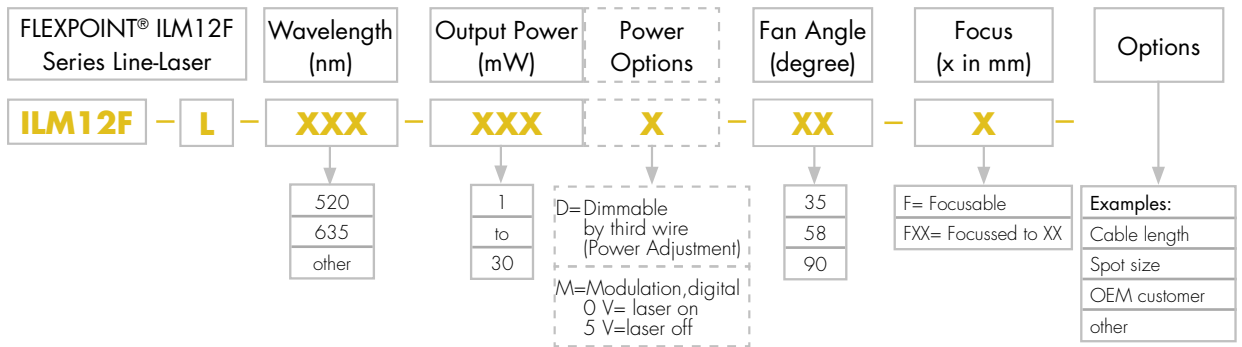


	Dot laser	Line laser	Crosshair laser
Model	ILM12F-D 	ILM12F-L 	ILM12F-DOE 
Wavelength	520 nm (bright green) / 635 nm (bright red)		
Output power	<1 – 30 mW		
Modulation (option)	digital, up to 10 kHz (active low, higher frequencies on request)		
Power adjustment (option)	by control voltage 0 – 5 V (active low)		
Focussing range	0.1 - 10 m		
Beam pointing error	<5 mrad		
Pointing stability	10 μ rad/°C		
Operating voltage	10 - 30 VDC (520 nm) / 4.5 - 30 VDC (635 nm)		
Operating temperature	0° up to 50°C		
Storage temperature	-10° up to +60 °C		
Housing	Stainless steel with thread M12x1, potential free		
Dimensions	68 mm x M12 (see drawing)		
Protection class	IP 54		
Connector	M12, 4 Pins (Pin 1 +, Pin 3 -)		
Accessories	Connector with 2/5/10 m cable, universal power supply, battery pack		

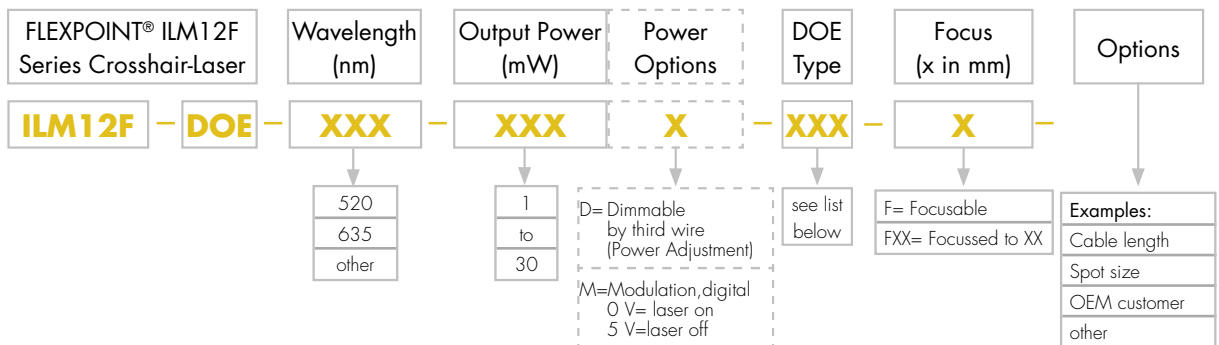
Ordering Code FLEXPOINT® ILM12F Series Dot Lasers



Ordering Code FLEXPOINT® ILM12F Series Line Lasers




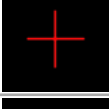
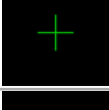
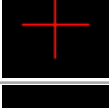

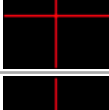
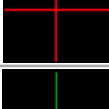



Ordering Code FLEXPOINT® ILM12F Series Crosshair Lasers



Crosshair



DOE Item #	Description	Pattern Size @ 100 mm Distance		Image
		a	α	
DOE-214	Cross - 2 635 nm	3.5 mm	2°	
DOE-205	Cross - 5 635 nm	9 mm	5°	
DOE-239	Cross - 5 520 nm	10.5 mm	5°	
DOE-218	Cross - 15 635 nm	26 mm	15°	
DOE-289	Cross - 15 520 nm	26.4 mm	15°	
DOE-247	Cross - 25 635 nm	44 mm	25°	
DOE-212	Cross - 25 520 nm	45.1 mm	25°	
DOE-249	Cross - 45 635 nm	83 mm	45°	
DOE-280	Cross - 60 635 nm	116 mm	60°	
DOE-342	Cross - 52 520 nm	97.6 mm	52°	

Accessories for ILM12F Lasers

FP-PS-HD-12 Heavy Duty Power Supply

This Power Supply can be used worldwide with all types of the FLEXPOINT® HD series. It is not to be used with other equipment than specified.

FP-PS-HD-12 Power Supply

Content of delivery	Power supply, 4x plug adapter (Europe, UK, USA, Japan)
Operating voltage	100 – 240 VAC / 50 – 60 Hz
Output voltage	12 VDC
Output current	10 mA – 1200 mA
Cable length	1.8 m, AWG 18
Connector	M12 female (Pin 1: + / Pin 3: GND)
Operating temperature	0 °C to + 40 °C



LT-PLM-AP-10: Battery pack for mobile applications

This battery pack power supply can be used in mobile applications with all types of the FLEXPOINT® HD series. It is not to be used with other equipment than specified. The battery pack and the Charger are designed for indoor use only.

LT-PLM-AP-10 battery pack

Content of delivery	battery pack, charger, M12 cable
Input voltage	100 – 240 VAC / 50 – 60 Hz
Output voltage	10 VDC
Capacity	800 mAh
Battery technology	NiMH
Operating temperature	-20 °C to + 60 °C
Connector	M12 (Pin 1: + / Pin 3: GND)
Cable length	1.5 m
Dimensions	80 mm x 75 mm x 30 mm



M12 Connecting Cables

Available lengths: | 2 m/5 m/10 m